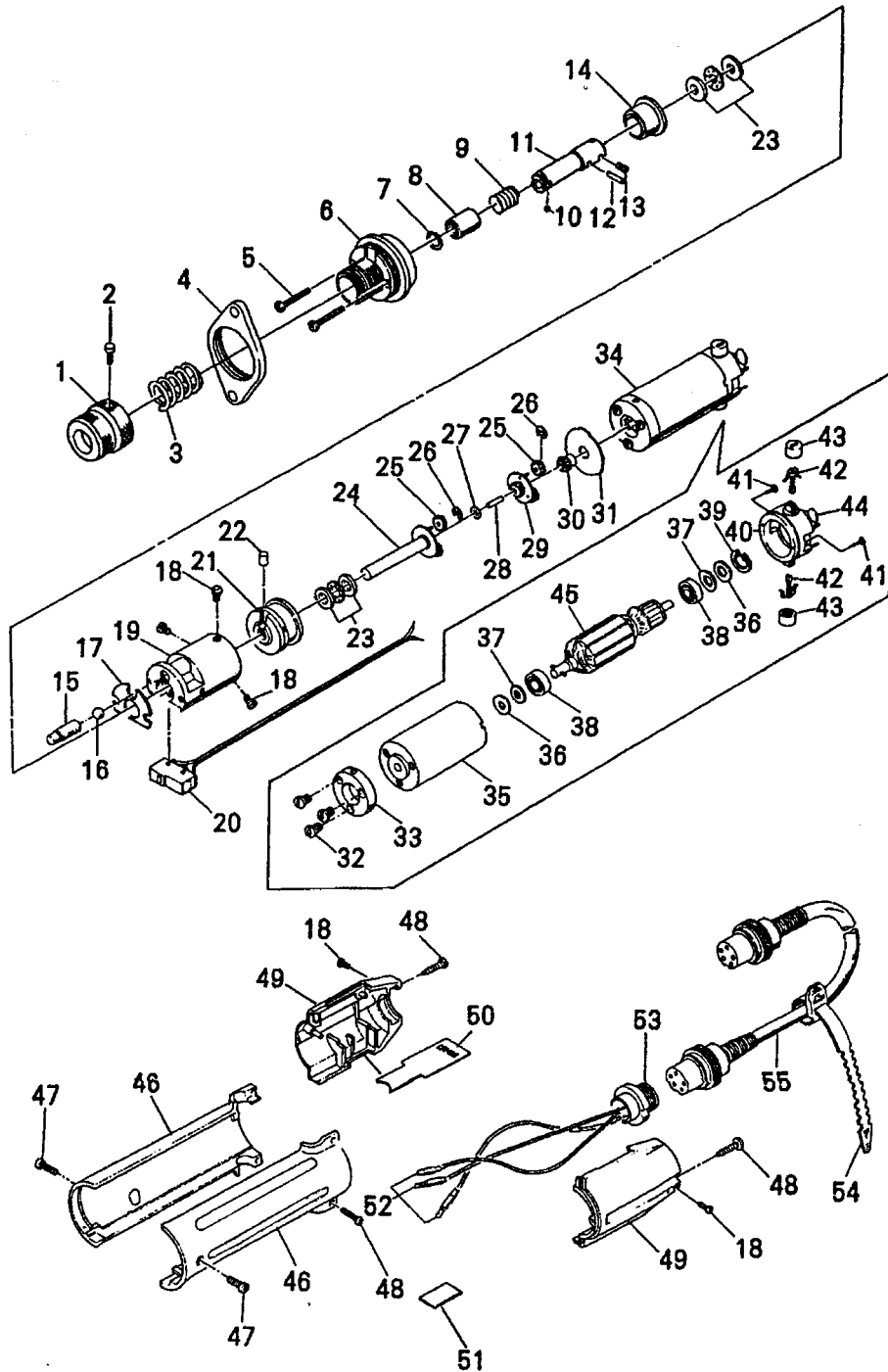


CLF-4000HH

Rev 1.0



CLF-4000HH

Ref#	Part Name	Part#	Ref#	Part Name	Part#
	Transmission Assembly 1 – 34 (w/o 20)	41-CLF4-TM		Upper Planet Cage Assembly 25,26,29	41-CL4-3310
1	Torque Adjusting Nut	41-CLF4-0040	29	Upper Planet Cage	41-CL4-0310
2	Nut Fixing Screw	41-CLO4-0060	30	Pinion Gear	41-CL4-0320
3	Torque Adjusting Spring 1.2 (Blue)	41-CL3-0060	31	Grease Seal	41-CL4-0330
	Torque Adjusting Spring 1.5 (Red)	41-CL4-0060		Motor	-----
4	Flange	41-CLF4-0020	32	Motor Front Panel Set Screw 3x5	41-STP30X050
5	Torque Adjusting Bolt Set Screw (x2)	41-STP26X100	33	Motor Front Panel	41-CL4-0350
6	Torque Adjusting Bolt	41-CLF4-0080	34	Motor	41-CL4-0360
	Joint Shaft Assembly 7 – 11	41-CL4-JS	35	Magnet Case	-----
7	Collar Stopper	41-CL4-0090	36	Wave Washer	41-CL4-0370
8	Joint Shaft Collar	41-CL4-0100	37	Rotor Adjusting Washer 0.1	41-CL4-0380-1
9	Collar Spring	41-CL4-0110		Rotor Adjusting Washer 0.2	41-CL4-0380-2
10	Bit Lock Ball (1.5)	41-Ball-02		Motor End Cover Assembly 38 – 44	41-CL4-3400
11	Joint Shaft	41-CL4-0130	38	Motor Bearing	41-CL4-0450
12	Joint Shaft Lock Pin 2x9	41-SR20X090	39	Stop Ring	41-CL4-0390
13	Joint Set Screw 3x3	41-SH30X030	40	Motor End Cover	41-CL4-0400
14	Clutch Supporter	41-CL4-0160	41	Motor End Set Screw 1.7x10	41-STP17X100
	Gear Assembly 15 – 31 (w/o 20)	41-CL4-GR	42	Carbon Brush	41-CL4-0420
15	Clutch Ball Rod	41-CL4-0180	43	Carbon Brush Cap	41-CL4-0430
16	Clutch Ball 5	41-Ball-05	44	Capacitor	41-CL4-0440
17	Gear Case Plate	41-CL4-0200	45	Rotor	41-CL4-0460
18	Gear Case Set Screw 2.6x5	41-STP26X050	46	Body Case A & B	41-CL4-0470
19	Gear Case	41-CL4-0210	47	Motor Case Set Screw 2.6x6	41-STP26X060
20	Limit Switch	41-CL4-0230	48	Motor Case Joint Screw	41-STPB26X120
21	Internal Gear	41-CL4-0240		Switch Assembly 18, 49-53	41-CLF4HH-SW
22	Cam Roller	41-CL4-0250	49	Switch Cover A & B	41-CL4-0530
23	Thrust Bearing 5x11 (x2)	41-CL4-0170	50	Name Plate	41-CL4-0540
	Lower Planet Cage Assembly 24 – 26	41-CL4-3260	51	Side Cover	-----
24	Lower Planet Cage	41-CL4-0260	52	Terminal Holder	41-CL4-0550
25	Planet Gear (x6)	41-CL4-0270	53	5-Pin Connector	41-CL4-0580
26	E-Ring (x6)	41-CL4-0280	54	Free-Up Belt	41-CL4-0600
27	Gear Washer	41-CL4-0290	55	5-Core Cord w/connector in both ends	41-CLF65-0620
28	Center Pin	41-CL4-0300			