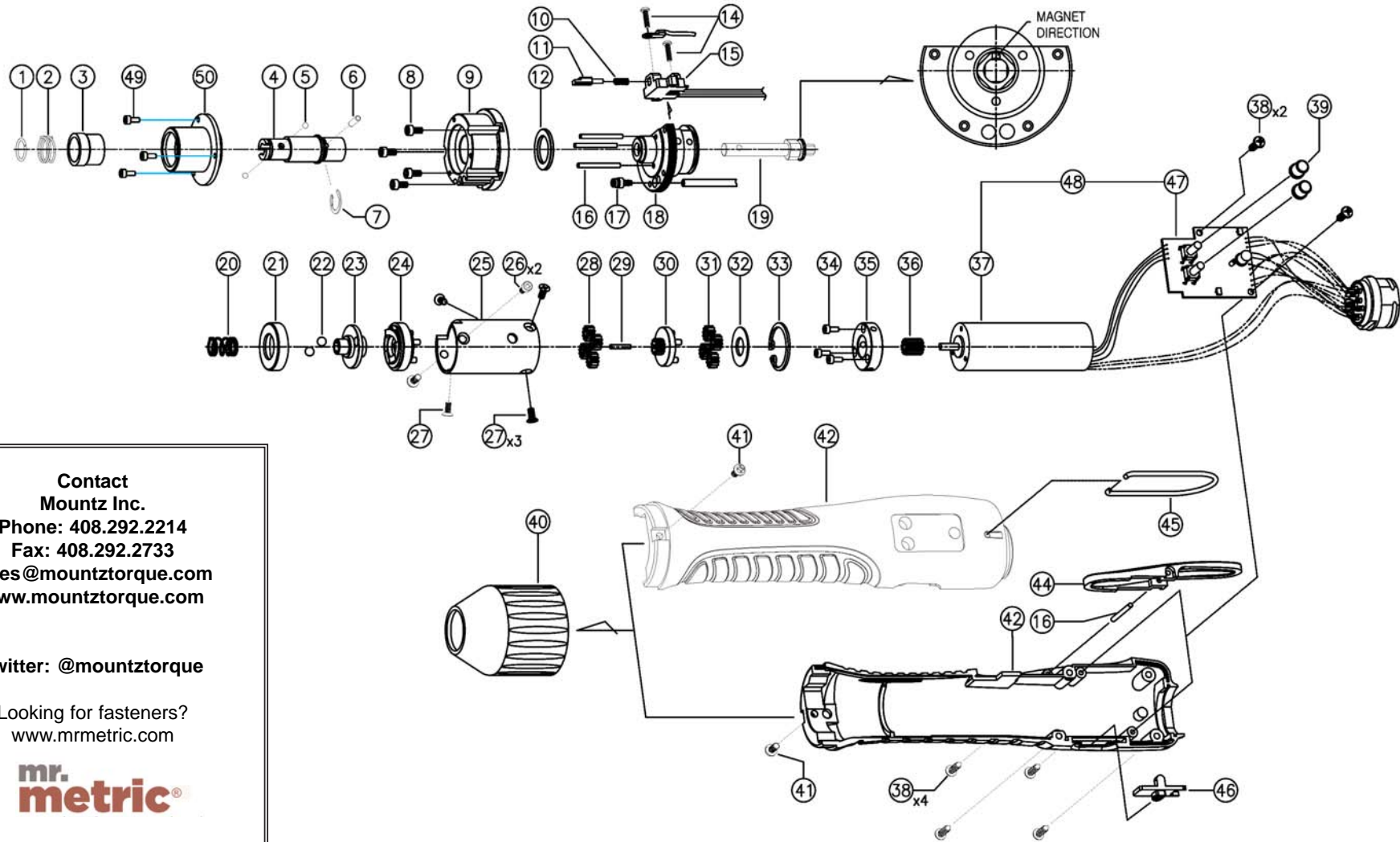


HD150P-A Brushless Driver (1/4 F/Hex)

Rev 1.2 1/28/2015



**Contact
Mountz Inc.**
Phone: 408.292.2214
Fax: 408.292.2733
sales@mountztorque.com
www.mountztorque.com

 **Twitter: @mountztorque**

Looking for fasteners?
www.mrmetric.com

**mr.
metric**



HD150P-A Brushless Driver (1/4 F/Hex)

Rev 1.2 1/28/2015

No.	Part Number	Description	Qty.	No.	Part Number	Description	Qty.
1	14-500111	BIT SOCKET RING	1	37	14-5000418	BLDC MOTOR	1
2	14-5000063	COLLAR SPRING	1	38	14-PSW2602	SCREW	6
3	14-5001038	COLLAR A	1	39	14-5000070	BUTTON CAP	2
4	14-5001036	BIT SOCKET A	1	40	14-5001042	HOUSING NUT FOR HD150,220	1
5	14-PAL1928	STEEL BALL	2	41	14-5000072	SCREW	2
6	14-PAL1231	GEAR HOLDER PIN	1	42	14-3000914	HD HOUSING SET	1
7	14-PSK1954	C-RING	1	44	14-5000080	HD ATTACHMENT	1
8	14-PSW2201	WRENCH BOLT	4	45	14-500680	HOOK	1
9	14-3000075	CYLINDER ASS'Y FOR HD150	1	46	14-PFF1130	SWITCH COVER ASS'Y	1
10	14-5000064	LIMIT SPRING	1	47	14-3000324	DRIVER PCB ASSY (PUSH)	1
11	14-3000076	SLIDE BAR ASS'Y	1	48	14-3000089	MOTOR SET	1
12	14-5000061	NEEDLE PIN SUPPORT	1	49	14-PSW2216	WRENCH BOLT	3
14	14-PSW2211	SCREW	2	50	14-3000994	HK1210 HOLDER ASSY FOR HD150P	1
15	14-3000086	SENSOR ASSY (PUSH)	1		14-3000238	CABLE - HD-SERIES DRIVERS	1
16	14-PSK1327	NEEDLE PIN	4				
17	14-3000078	CYLINDER FITTING ASS'Y	1				
18	14-3000087	BEA. COVER ASS'Y (PUSH)	1				
19	14-3000088	PUSH SHAFT ASS'Y	1				
20	14-5000078	PUSH SPRING	1				
21	14-PFF1319	SLIDE RING	1				
22	14-PAL1932	STEEL BALL	2				
23	14-5000079	SHAFT B	1				
24	14-3000870	CLUTCH ASS'Y (HD150 V2)	1				
25	14-PFE1201A	GEAR CASE	1				
26	14-PSW2201	WRENCH BOLT	2				
27	14-5000665	SCREW	4				
28	14-5000067	2ND IDLE GEAR	4				
29	14-PFE1915	CENTER PIN	1				
30	14-PFE1102	1ST GEAR HOLDER ASS'Y	1				
31	14-5000067	2ND IDLE GEAR	4				
32	14-PFE1947	WASHER	1				
33	14-PFE1903	SNAP RING	1				
34	14-PSW2216	WRENCH BOLT	3				
35	14-PFF1839A	MOUNTING FLANGE	1				
36	14-PFE1235	PINION GEAR	1				