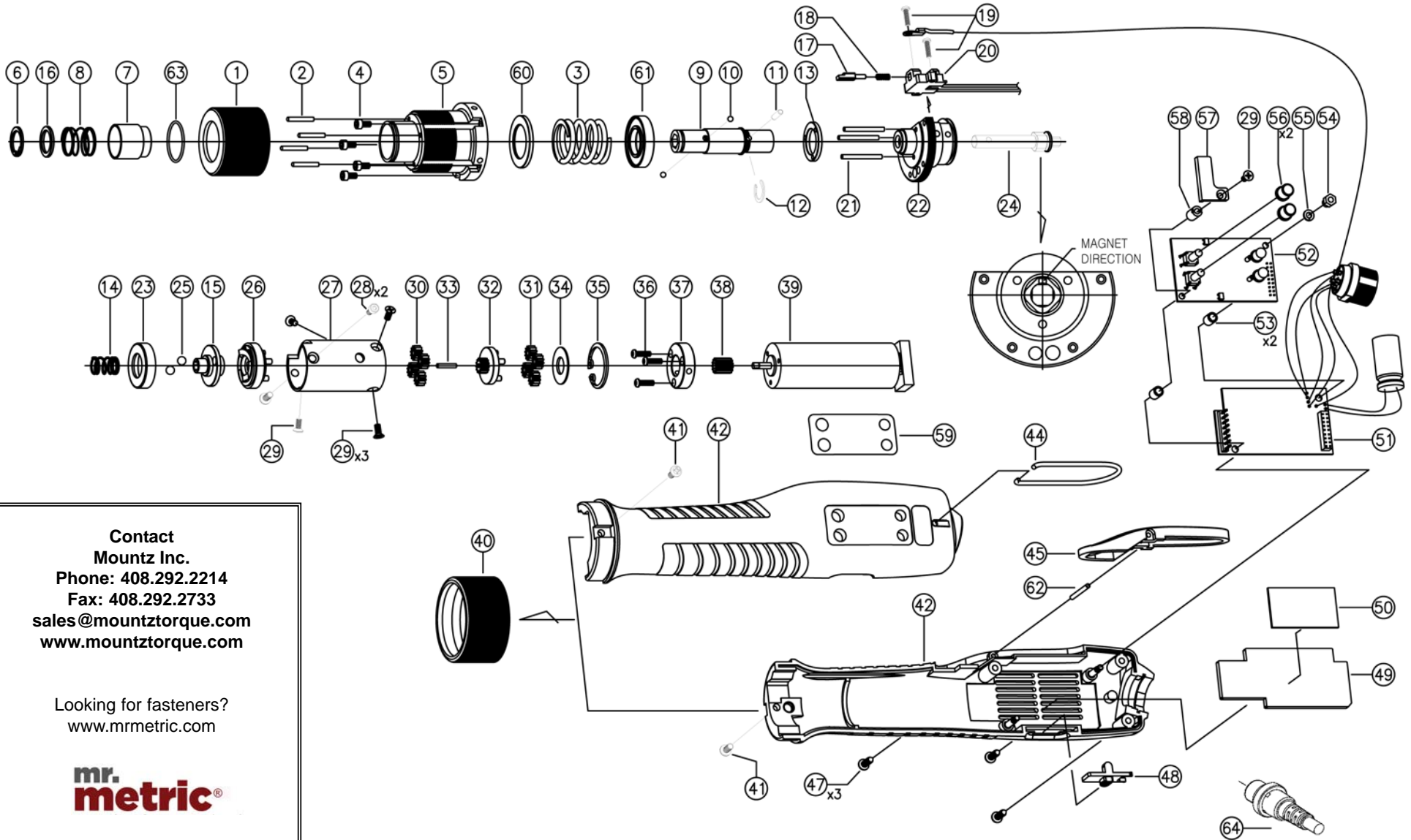


NF150P & NF150P Plus (1/4 F/Hex)

Rev 5.1 12/23/14



Contact
Mountz Inc.
 Phone: 408.292.2214
 Fax: 408.292.2733
 sales@mountztorque.com
 www.mountztorque.com

Looking for fasteners?
 www.mrmetric.com

mr.
metric®



NF150P & NF150P Plus (1/4 F/Hex)

Rev 5.1 12/23/14

No.	Part Number	Description	Qty.	Note	No.	Part Number	Description	Qty.	Note
1	14-5000888	ADJUSTER	1		33	14-PFE1915	CENTER PIN	1	
2	14-5000899	ADJUST PIN	4		34	14-PFE1947	WASHER	1	
3	14-5000942	TORQUE SPRING (SILVER)	1		35	14-PFE1903	SNAP RING	1	
4	14-PSW2201	WRENCH BOLT	4		36	14-PSW2216	WRENCH BOLT	3	
5	14-3000949	TOP COVER FOR NF (PUSH)	1		37	14-PFF1839A	MOUNTING FLANGE	1	
6	14-5000945	SNAP RING	1		38	14-PFE1235	PINION GEAR (NF150)	1	
7	14-5000912	BIT COLLAR A	1		39	14-5000418	BLDC MOTOR	1	
8	14-5000903	COLLAR SPRING	1		40	14-5000893	HOUSING NUT FOR NF150,220	1	
9	14-5000909	BIT SOCKET A	1		41	14-5000072	SCREW	2	
10	220056	STEEL BALL	2		42	14-3000912	NF HOUSING SET	1	
11	14-PAL1231	GEAR HOLDER PIN	1		44	14-500680	HOOK	1	
12	14-PSK1954	C-RING	1		45	14-5000144	ATTACHMENT (NF)	1	
13	14-5000895	NEEDLE PIN GUIDE	1		47	14-PSW2602	SCREW	3	
14	14-5000078	PUSH SPRING	1		48	14-PFF1130	SWITCH COVER ASS'Y	1	
15	14-5000079	SHAFT B	1		49	14-5000135	HEAT SINK	1	
16	14-5000914	COLLAR SPRING SUPPORT	1		50	14-5000143	THERMER SILICON PAD	1	
17	14-3000076	SLIDE BAR ASS'Y	1		51	14-3000161	AMP PCB SET (NF150,220)	1	
18	14-5000064	LIMIT SPRING	1		52	14-3000162	CONTROL PCB SET	1	
19	14-PSW2211	SCREW	2		53	14-PFF1842A	PCB SUPPORT	2	
20	14-3000086	SENSOR ASSY (PUSH)	1		54	14-PFF1824	NUT	1	
21	14-5000900	NEEDLE PIN FOR NF150,220	3		55	14-PSW2803	SPRING WASHER	1	
22	14-3000087	BEA. COVER ASS'Y (PUSH)	1		56	14-5000070	BUTTON CAP	2	
23	14-PFF1319	SLIDE RING	1		57	14-PFF1719	CONNECTOR LOCK COVER	1	
24	14-3000619	PUSH SHAFT ASS'Y	1		58	14-PFF1824A	SLOT NUT	1	
25	14-PAL1932	STEEL BALL	2		59	14-5000659	WINDOW LABEL (NF STANDARD)	1	
26	14-3000268	CLUTCH ASS'Y FOR (NF150)	1		59	14-5000660	WINDOW LABEL(NF PLUS)	1	
27	14-PFE1201A	GEAR CASE	1		60	14-5000898	TORQUE SPRING WASHER	1	
28	14-PSW2204	WRENCH BOLT	2		61	14-5000897	TORQUE SPRING SUPPORTER	1	
29	14-5000665	SCREW	5		62	14-PSK1327	NEEDLE PIN	1	
30	14-5000067	2ND IDLE GEAR (NF150)	4		63	14-5000904	STOP RING	1	
31	14-5000067	1ST IDLE GEAR (NF150)	4		64	14-PELZ932A	CABLE 6 PIN	1	
32	14-PFE1102	1ST GEAR HOLDER ASS'Y	1						