

Accessories



COIL AIR HOSE

Dual swivel hose fittings provide 360° rotation. Durable polyurethane hose - 8mm ID. Flexible, lightweight and good recoil memory. 1/4 NPT fitting. Burst pressure 426 PSI at 73° F

Length	Item #
6m	360030
10m	360031



COUPLER

for Air Tool (Universal 1/4 female)
Item #360033



FITTINGS

for Air Tool 1/4" Female (Milton type)
Item #360034
for Air Tool 1/4" Male (Milton type)
Item #360035

FILTER REGULATOR

Item #360032



NPT Port Size: 1/4"
Filter Element: 5µ
Max. Input Pressure: 150 PSI
Max. Output Pressure: 7 ~ 140 PSI
Max. Flow: 38.8 cfm
Operating Temp. Range: 40°F ~ 140°F
Drain Capacity: 15 ml



FILTER, REGULATOR and LUBRICATOR (not pictured)

Model: 1/4" FRL
Item #360037
NPT Port Size: 1/4"
Filter Element: 5µ
Max. Input Pressure: 150 PSI
Max. Output Pressure: 7 ~ 142 PSI
Max. Flow: 38.8 cfm
Operating Temp. Range: 5°F ~ 60°F
Drain Capacity: 15 ml
Oil Capacity: 30 ml
Recommended Lubricants: ISO VG-32

Model: 3/8" FRL
Item #360038
NPT Port Size: 3/8"
Filter Element: 5µ
Max. Input Pressure: 215 PSI
Max. Output Pressure: 7 ~ 150 PSI
Max. Flow: 105.9 cfm
Operating Temp. Range: 5°F ~ 60°F
Drain Capacity: 80 ml
Oil Capacity: 150 ml
Recommended Lubricants: ISO VG-32

mr. metric®

Mr. Metric is the leading metric fastener specialist in North America. Well regarded as experts in metric. Mr. Metric is known for hard to find metric items at competitive prices. Visit www.mrmetric.com



VACUUM ADAPTER KIT

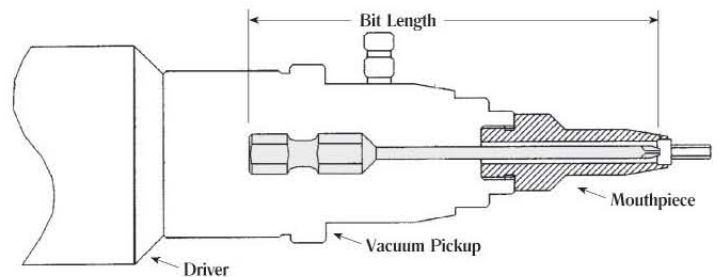
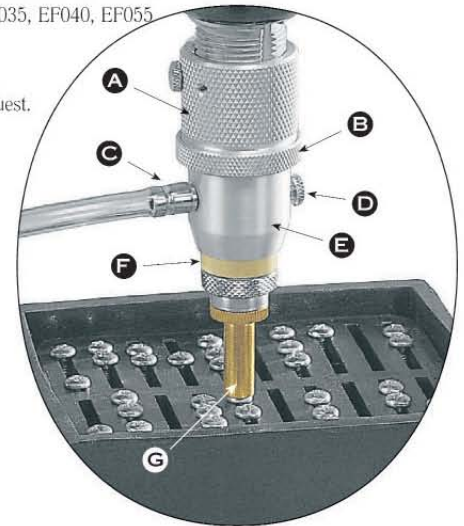
Mounts easily to BF, BL, CL, EF, SS, A, ESD, and VZ-Series Drivers.
Accepts different size screws and various length fasteners.
Allows quick change set-up at a low cost.
Mounts with threaded torque nut. The driver remains externally adjustable while allowing semi-automatic pickup of non-ferrous fasteners.
Plug driver into vacuum supply or choose the Vacuum Ejector.
Mouthpiece and bit purchased separately.

Item # | Fits Driver Models:

144318	CL2000, SS2000*
144319	A4500, A5000, CL3000, CL4000, SS3000, SS4000*
144322	A6500, CL6000, CL6500, CL7000, SS6500, SS7000*
144345	BL3000*
144338	BL5000*
144346	BL7000*
144356	VB1510, VB1820, VB3012, VB4504, VZ1820, VZ3012, VZ4506
145612	BF060, BF080, BF120, EF080, EF120, EF180
145653	BF035, BF045, EF035, EF040, EF055
145864	NF-Series
061012	K250, K350, K450

*ESD models available on request.

- A Torque Nut
- B Lock Ring
- C Vacuum Fitting
- D Lock Screw
- E Funnel Assembly
- F Cartridge
- G Finder



MOUTHPIECES

(Sold Separately from Kit above)

Standard mouthpieces are manufactured of stainless steel, unless specified. Modification Requirements listed are required for Mountz to design a mouthpiece to fit your specific application.

Modification Requirements

- Electric driver model.
- Torque setting.
- Drive size.
- Bit style and length.
- Fastener samples need to be submitted.
- Any special requirements, i.e. space restrictions.