

# Accessories



## TOOL CRIB Item #064000

Prevents broken or dropped tools. Reduces tool bench clutter. Easy operator access.

Mounts in a variety of positions on the work bench or the production line. The flexible ToolCrib can rotate to 8 locations.

Hole at the bottom of ToolCrib allows for a bit to pass through.

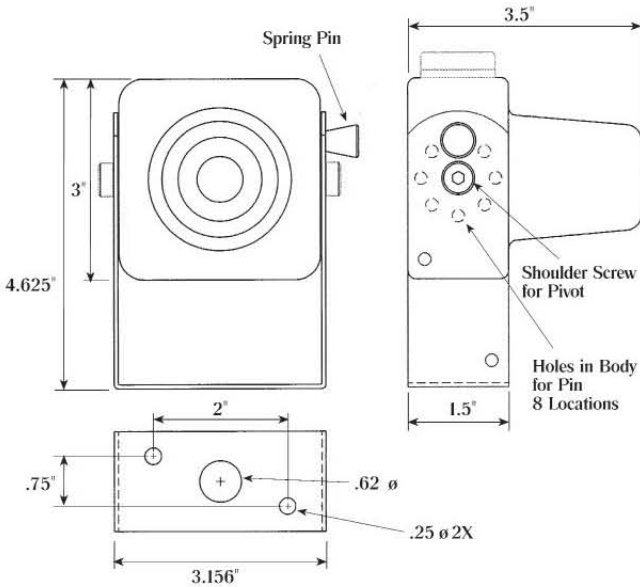
Crafted with durable aluminum.



Surface Mount



Under Table Mount



## MAG-O-NETS

Magnetize bits by sliding a Mag-O-Net onto the bit.

(actual size)



Desc.	Item #	Inner Dia.	Outer Dia.	Package Quantity	Use
for 3/16" Shank Bit	145710	3/16"	17.5mm	10	For most 0 & 00 bits
for 5mm Shank Bit	145711	6mm	17.5mm	10	Reduced Dia. Bits
for 1/4" Shank Bit	145712	7mm	19mm	10	Standard Bits

## ACCESSORIES

01.45



## MOUNTZ RIGHT ANGLE ADAPTER

Robust and durable. Easily mounts onto nose of driver. Only operational with Lever Start 1/4" F/Hex driver models. Size 4-1/8" x 1-1/2".

### Item # Fits Driver Models:

067061	K-Series
067062	A4500, A5000, CL4000, SS4000
067063	A6500, CL6000, CL6500, CL7000, SS6500, SS7000
067064	VZ-Series
067065	EF-Series
067067	Delvo 7100/7200 Series
067068	Delvo 7500 Series
067069	E-Series, NF-Series



## HIOS RIGHT ANGLE ADAPTER

Only works with Lever Start 1/4" Female Hex drives. Keep torque output to within 70%. Threadstyle: 23.85 dia x 1.5mm pitch. Use with: A6500, CL6000, CL6500, CL7000, SS6500, SS7000

Size: 3" x 2-1/4"

Item #144323



## PUSH-TO-START ADAPTER

Converts lever operated tools to Push-to-Start models.

A4500, A5000, CL4000, SS4000

Item #144342

Hex to HIOS



## DRIVE ADAPTERS

1/4" F/Hex Drive to 4mm HIOS Drive

Item #144328

HIOS to Hex



1/4" F/Hex Drive to 5mm HIOS Drive

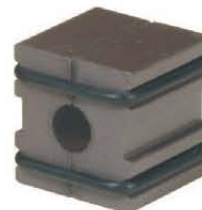
Item #144337

4mm HIOS Drive to 1/4" F/Hex Drive

Item #144327

5mm HIOS Drive to 1/4" F/Hex Drive

Item #144332



## MAGNETIZER / DEMAGNETIZER

Magnetize or demagnetize bits and parts instantly.

Item #120815

**PISTOL GRIPS**

Converts inline drivers to pistol grip.



HIOS Models:  
A6500  
CL6000  
CL6500  
CL7000  
SS6500  
SS7000  
Item #144341

Standard  
Pistol Grip  
Attachment  
(for K-Series)  
Item #145713



ESD Pistol Grip  
Attachments:

(for NF-Series)  
Item #145789  
  
(for BF060, BF080, BF120)  
Item #145788  
  
(for K-Series ESD Models)  
Item #145714

**TOOL STAND**

A rugged adjustable tool support stand. Prevent tool damage due to dropping or mishandling. Convenient tool positioning - adjust both vertically and horizontally. Electric tool cords can be tie-wrapped to the vertical base to keep work station clean. 360 degree swivel. Four foot high, maximum arm length 1.75 feet. A tool balancer is recommended.

Model: MT-10  
Item #060050



**BENCH CLAMP**

Used to clamp MT-10 Tool Stand base to table tops. This handy unit eliminates hole drilling and secures the tool stand in place. It's flexible and ready to move at a moments notice.  
Model: 311  
Item #180035

**EXTENSION CORD**

Combine with existing power cord. Works with A, BL, CL, EF, ESD, K or SS Series Drivers.

Length: 10 ft.  
Item #144180

Length: 16 ft.  
Item #144181



**COILED POWER CORD**

Works with A, BL, CL, EF, ESD, K or SS Series Drivers.

Length: 4 ft. coiled (5 ft. extended)  
Item #41F9TR-8100



**DRILL CHUCK**

Converts all 1/4" drive tools for drilling applications. Chuck capacity 1/4". Comes with chuck key.  
Item #144331



**DRILL CHUCK KEY**

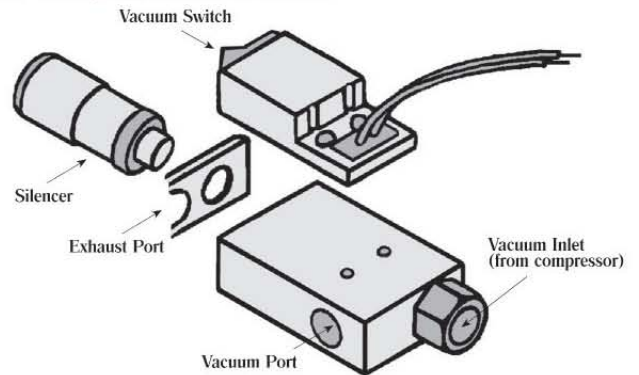
Item #144336

**TORQUE BUSTER**

Designed to reduce operator injuries resulting from the torque transmitted from the power tool to the hand of the operator. High user comfort, decreases injuries, works in all orientations, and fits most power tools  
Item #144315



**EJECT-TORR, VACUUM EJECTOR**



This complete kit converts present shop lines into a vacuum system for fasteners.

The EJEC-TORR is small, light and easier to mount than conventional vacuum pumps.

No vacuum tanks and complicated piping are required.

The EJEC-TORR is vibration-free and produces comparatively little noise.

Model: ET-10HR  
Nozzle Dia: .038"  
Vacuum Flow (SCFM)(0"Hg): 0.88  
Achieved Vacuum: 26.7  
Air Compression (SCFM): 1.60  
Weight: 3 oz.  
Item #144314



# Accessories



## COIL AIR HOSE

Dual swivel hose fittings provide 360° rotation. Durable polyurethane hose - 8mm ID. Flexible, lightweight and good recoil memory. 1/4 NPT fitting. Burst pressure 426 PSI at 73° F

Length	Item #
6m	360030
10m	360031



## COUPLER

for Air Tool (Universal 1/4 female)

Item #360033



## FITTINGS

for Air Tool 1/4" Female (Milton type)

Item #360034

for Air Tool 1/4" Male (Milton type)

Item #360035

## FILTER REGULATOR

Item #360032



NPT Port Size: 1/4"  
Filter Element: 5µ  
Max. Input Pressure: 150 PSI  
Max. Output Pressure: 7 ~ 140 PSI  
Max. Flow: 38.8 cfm  
Operating Temp. Range: 40°F ~ 140°F  
Drain Capacity: 15 ml



## FILTER, REGULATOR and LUBRICATOR

(not pictured)

Model: 1/4" FRL  
Item #360037

NPT Port Size: 1/4"  
Filter Element: 5µ  
Max. Input Pressure: 150 PSI  
Max. Output Pressure: 7 ~ 142 PSI  
Max. Flow: 38.8 cfm  
Operating Temp. Range: 5°F ~ 60°F  
Drain Capacity: 15 ml  
Oil Capacity: 30 ml  
Recommended Lubricants: ISO VG-32

Model: 3/8" FRL  
Item #360038

NPT Port Size: 3/8"  
Filter Element: 5µ  
Max. Input Pressure: 215 PSI  
Max. Output Pressure: 7 ~ 150 PSI  
Max. Flow: 105.9 cfm  
Operating Temp. Range: 5°F ~ 60°F  
Drain Capacity: 80 ml  
Oil Capacity: 150 ml  
Recommended Lubricants: ISO VG-32

**mr. metric®**

Mr. Metric is the leading metric fastener specialist in North America. Well regarded as experts in metric. Mr. Metric is known for hard to find metric items at competitive prices. Visit [www.mrmetric.com](http://www.mrmetric.com)



## VACUUM ADAPTER KIT

Mounts easily to BF, BL, CL, EF, SS, A, ESD, and VZ-Series Drivers.

Accepts different size screws and various length fasteners.

Allows quick change set-up at a low cost.

Mounts with threaded torque nut. The driver remains externally adjustable while allowing semi-automatic pickup of non-ferrous fasteners.

Plug driver into vacuum supply or choose the Vacuum Ejector.

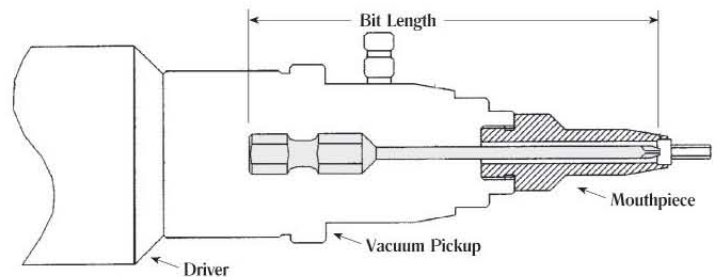
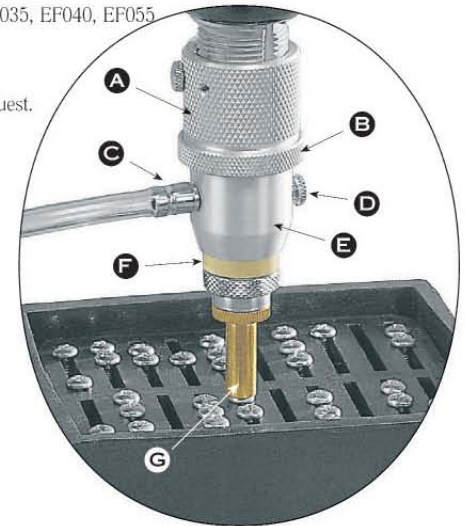
Mouthpiece and bit purchased separately.

### Item # | Fits Driver Models:

144318	CL2000, SS2000*
144319	A4500, A5000, CL3000, CL4000, SS3000, SS4000*
144322	A6500, CL6000, CL6500, CL7000, SS6500, SS7000*
144345	BL3000*
144338	BL5000*
144346	BL7000*
144356	VB1510, VB1820, VB3012, VB4504, VZ1820, VZ3012, VZ4506
145612	BF060, BF080, BF120, EF080, EF120, EF180
145653	BF035, BF045, EF035, EF040, EF055
145864	NF-Series
061012	K250, K350, K450

\*ESD models available on request.

- A Torque Nut
- B Lock Ring
- C Vacuum Fitting
- D Lock Screw
- E Funnel Assembly
- F Cartridge
- G Finder



## MOUTHPIECES

(Sold Separately from Kit above)

Standard mouthpieces are manufactured of stainless steel, unless specified. Modification Requirements listed are required for Mountz to design a mouthpiece to fit your specific application.

## Modification Requirements

- Electric driver model.
- Torque setting.
- Drive size.
- Bit style and length.
- Fastener samples need to be submitted.
- Any special requirements, i.e. space restrictions.