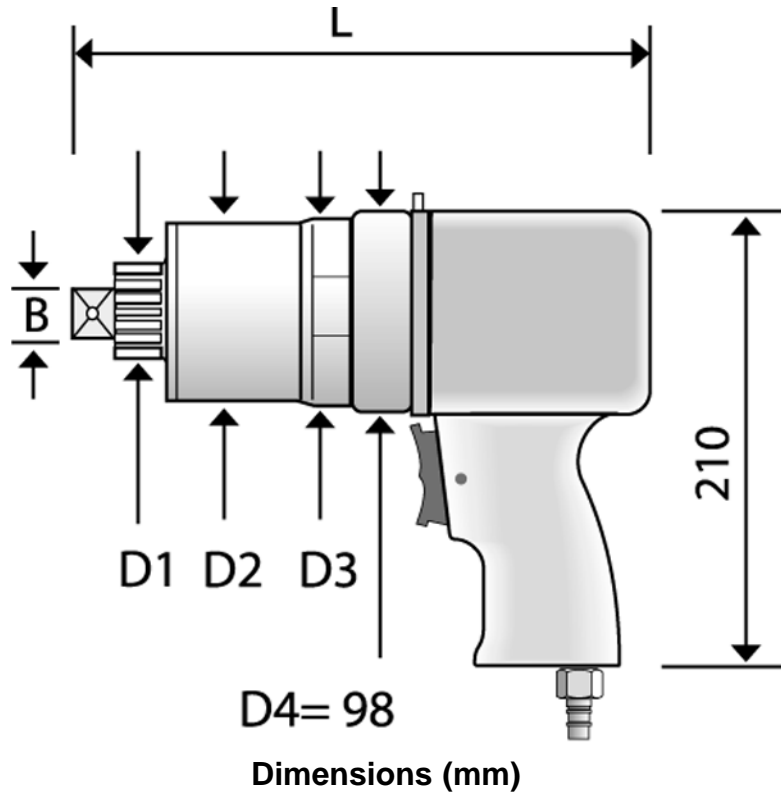


## CLD Drawing

Rev 1.0 (4/17/2015)



### Models CLD

Type		CLD 55	CLD 85	CLD 105	CLD 125	CLD 155	CLD 225	CLD 280	CLD 380	CLD 580	CLD 780	CLD 980
Torque range (approx.) *	Nm	160-490	300-900	360-1100	450-1300	600-1700	900-2700	1200-3500	1500-4400	2100-6100	2600-7700	3300-9800
Square drive	B	3/4"	3/4" / 1"	1"	1"	1"	1"	1"	1 1/2"	1 1/2"	1 1/2"	1 1/2"
Diameter (approx.)	D <sub>1</sub> mm	41	41/54	54	54	54	54	54	72	72	72	91
Diameter (approx.)	D <sub>2</sub> mm	85	85	85	85	85	85	85	98	109	133	173
Diameter (approx.)	D <sub>3</sub> mm	88	88	88	88	88	88	88	98	109	133	173
Length (approx.)	L mm	280	300	300	300	300	300	300	320	350	350	370
Weight without DMA (approx.)	kg	7	8	8	8	8	8.5	8.5	10.5	13	15	25
Idle speed	rpm	27	19	12	9	7	5	4	3	2	1.5	1