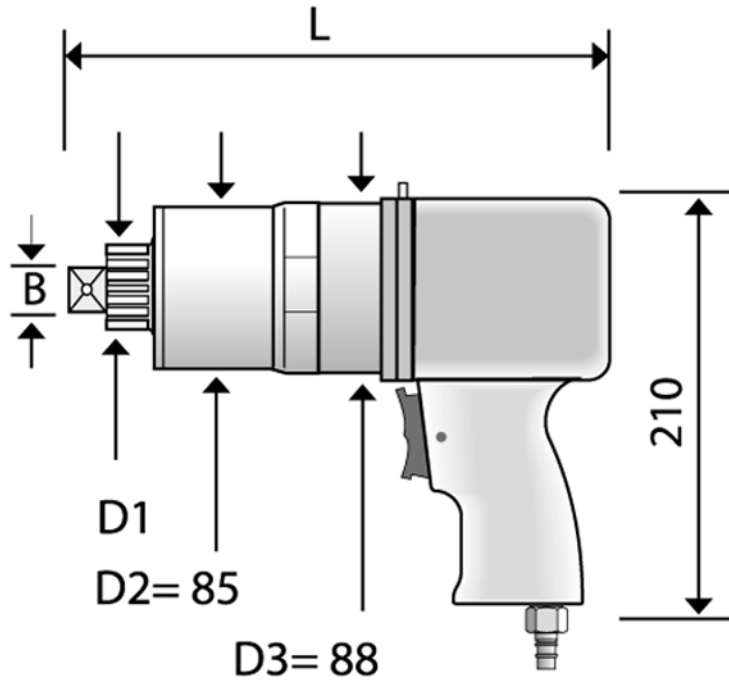


CLS Drawing

Rev 1.0 (4/17/2015)



Dimensions (mm)

Models CLS		CLS 15	CLS 25	CLS 35	CLS 45	CLS 75	CLS 95	CLS 135	CLS 175	CLS 255	CLS 315
Torque range (approx.) *	Nm	60-220	90-280	130-400	160-500	300-900	360-1100	500-1450	650-1900	900-2700	1200-3500
Square drive	B	1/2" / 3/4"	1/2" / 3/4"	3/4"	3/4"	3/4"	3/4"	1"	1"	1"	1"
Diameter (approx.)	D ₁ mm	41	41	41	41	41	41	54	54	54	54
Length (approx.)	L mm	255	255	255	255	277	277	300	300	330	330
Weight without DMA (approx.)	kg	6	6	6	6	7	7	8	8	8.5	8.5
Idle speed	rpm	60	38	34	27	19	13	9	7	6	4