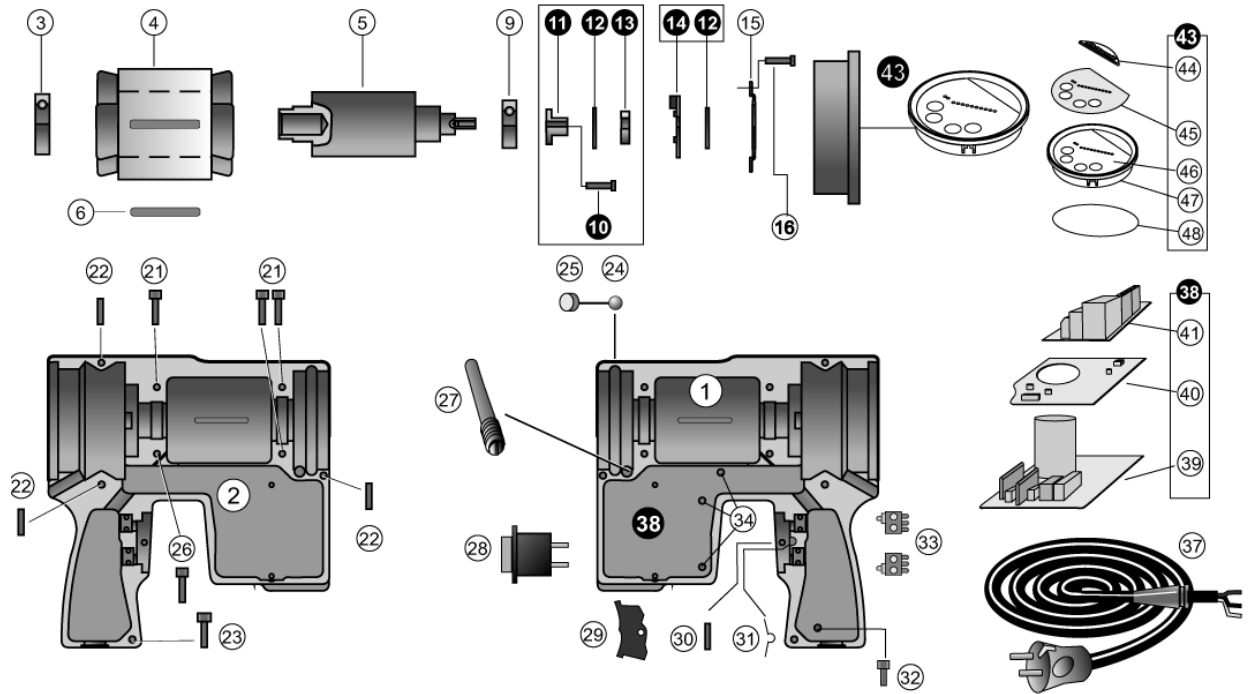


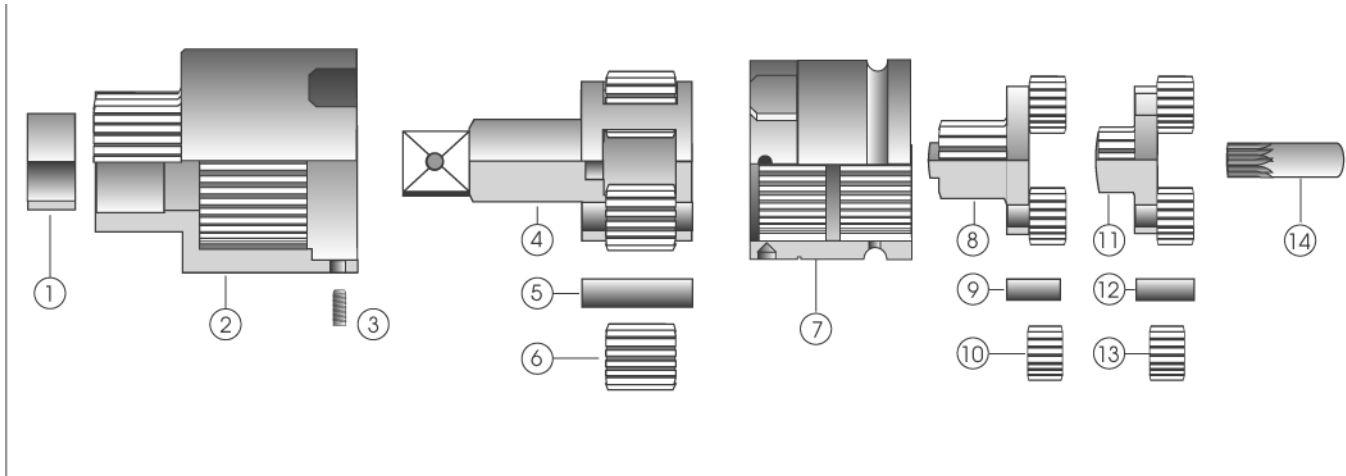
EFCip30 (Motor)

Rev. 1.0



Ref #	Part #	Qty	Description	Ref #	Part #	Qty	Description
1	21-13633	1	EFCip housing R (right)	10	21-20189	1	Oval head screw
2	21-13634	1	EFCip housing L (left)	11	21-13608	1	Magnetic Support
3	21-20118	1	Bearing - Groove ball bearing	12	21-20619	1	Washer
4	21-13614	1	Stator with cable and temp sensor	13	21-13607	1	Magnet
5	21-13615	1	Rotor	14	21-13611	1	Sensor Circuit Board
6	21-13610	2	Motor feather key	12	21-20619	1	Washer
9	21-20133	1	Bearing - Groove ball bearing	28	21-13562	1	Power Supply Plig
15	21-13612	1	Locking Plate	33	21-13565	2	Pushbutton
16	21-20723	3	Hex Allen Screw	37	21-13637	1	Net cable 5m / 1.5mm
21	21-20046	3	Hex Allen Screw	38	21-13650	1	Motor Complete (Items 39-41)
22	21-20001	3	Parallel Pin	39	21-13651	1	Power Module
23	21-20041	1	Hex Allen Screw	40	21-13652	1	Logic Circuit Board
24	21-20108	30	Ball	41	21-13653	1	Mains Filter
25	21-12419	1	Closing roll	43	21-13532	1	Operation Panel LED Complete (Items 44-48)
26	21-20047	1	Hex Allen Screw	44	21-13540	1	Operating Cover
27	21-13708	1	Blocking Pin	45	21-13535	1	Keyboard foil LCD
29	21-14617	1	Tilt Lever	46	21-13534	1	Opeartion Housing LED
30	21-14618	1	Parallel Pin	47	21-13537	1	Opeartion Electronic LED
31	21-13613	1	Readjusting Spring	48	21-13539	1	Profile Gaslet
32	21-20029	1	Hex Allen Screw (earthing)				
34	21-20723	3	Hex Allen Screw				

EFCip30 (Gearing)



16 Ref #	Part #	Quantity	Description
1	21-20143	1	Sleeve
2	21-10210	1	Gear Housing
3	21-20020	4	Stud Bolts
4	21-10180	1	Gear Cage 1/2"
5	21-20011	4	Bearing Pins
6	21-10146	4	Planet Gears
7	21-14511	1	Rotary Housing
8	21-10166	1	Gear Cage
9	21-10142	3	Bearing Pins
10	21-10145	3	Planet Gears
11	21-10149	1	Gear Cage
12	21-10142	3	Bearing Pins
13	21-10145	3	Planet Gears
14	21-13520	1	Motor shaft Z8