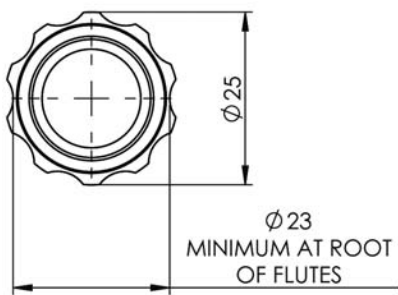
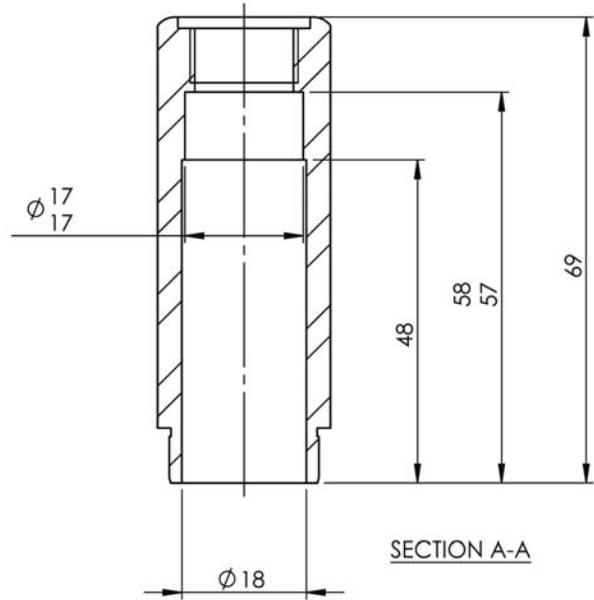
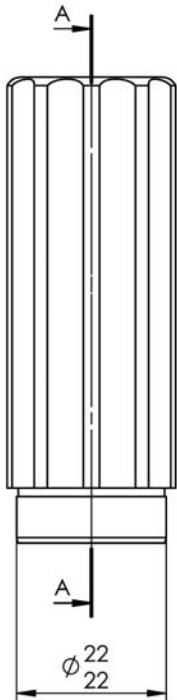


TL S0135 Minor Handle Line Drawing



GENERAL ISOMETRIC VIEWS
ACTUAL SIZE

