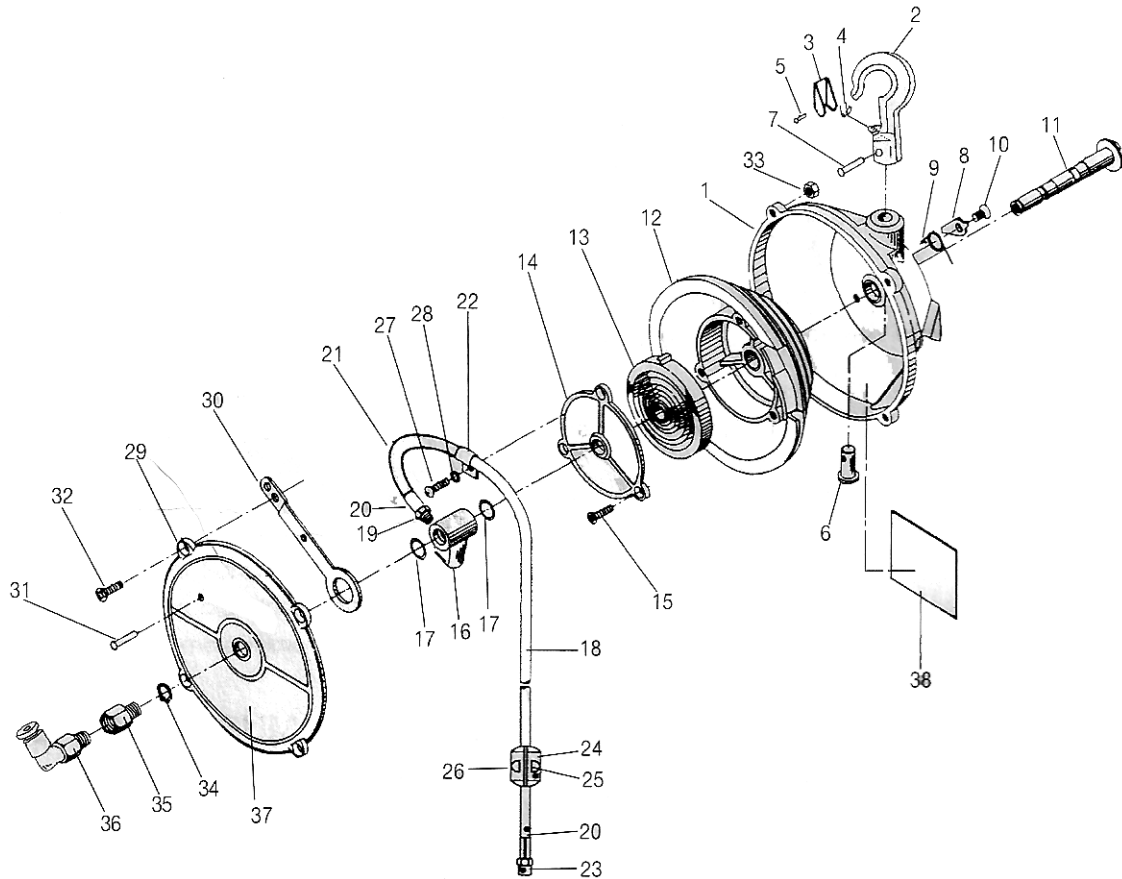


MH Hose Reel Balancer Parts Lists

Rev 1.5 (10/8/13)



No.	Part Number	Description	Qty.	No.	Part Number	Description	Qty.
	Case Assembly	18-HR62001A	1	20	Lock Tube		
1	Case	18-H962002	1	21	Tube		
	Hanger Assy	18-H962003A	1	22	Saddle		
2	Hanger		1	23	Nipple		
3	Latch		1		Stopper Assy	18-H962011A	1
4	Spring		1	24	Stopper	18-H961010	1
5	Rivet		1	25	Bolt	18-SH520	1
6	Shaft		1	26	Nut	18-M5	1
7	Rivet		1	27	Screw	18-SC516	1
8	Ratchet	18-H962004	1	28	Spring Washer	18-WS52	1
9	Spring	18-H962005	1		Cover Assembly	18-H962012A	1
10	Screw	18-SC612	1	29	Cover	18-H962013	1
11	Spindle	18-H962006	1	30	Plate	18-H962014	1
12	Drum	18-H962007	1	31	Rivet	18-RR311	1
13	Spring for MH-3	18-H962008	1	32	Screw	18-SC56	4
	Spring for MH-6	18-H962308	1	33	Nut	18-M5	4
	Spring for MH-11	18-H962508	1	34	Retaining Ring	18-13	1
14	Drum Cover	18-3010	1	35	Nipple	18-H962016	1
15	Screw	18-SC514	2	36	One Touch Nipple	18-H962016	1
16	Rotary Joint	18-H962009	1	37	Name Plate for MH-3	18-H962017	1
17	O-Ring	18-P14	2		Name Plate for MH-6	18-H962317	1
	Hose Assembly	18-H962010A	1		Name Plate for MH-11	18-H962517	1
18	Hose Assembly			38	Label	18-H962018	1
19	Nipple						