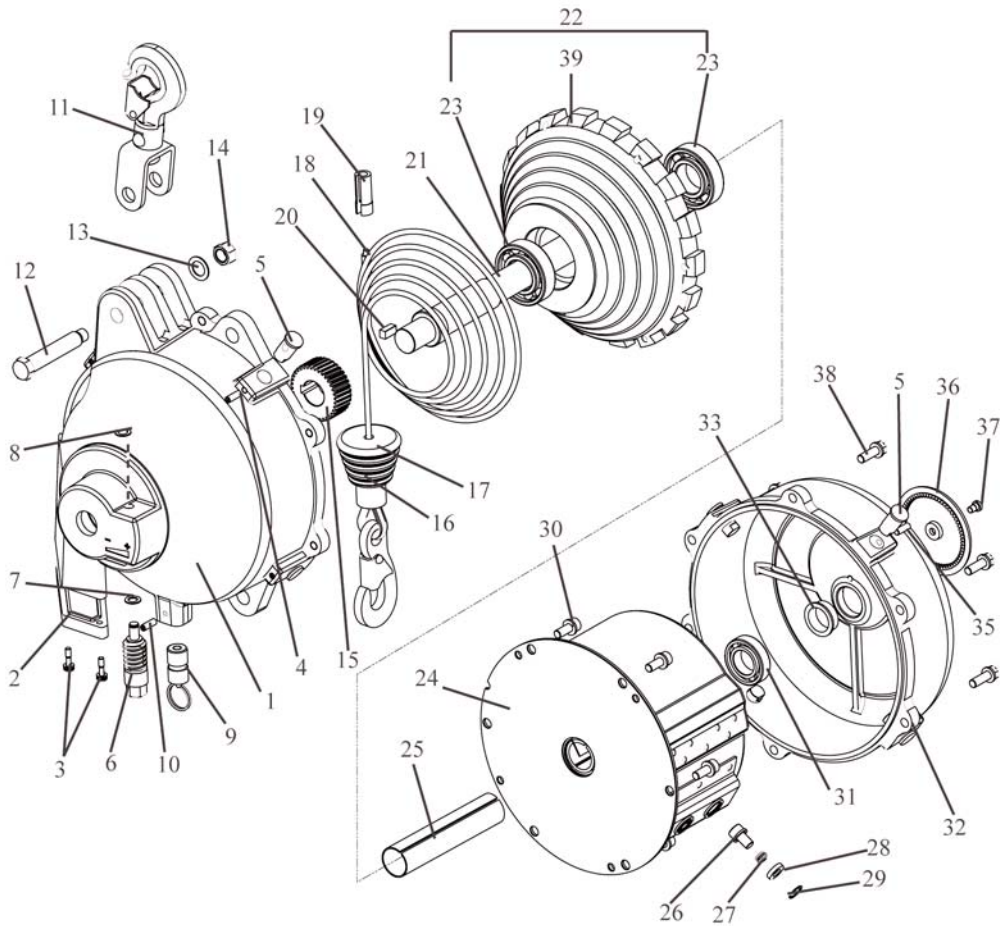


Parts List for MZ-198, MZ-231 & MZ-264 Tool Balancers

Version 1.0 (4/25/2011)





Parts List for MZ-198, MZ-231 & MZ-264 Tool Balancers

No.	Part Number	Description	Qty.
1	18-TB06546	Case Assembly	1
2	18-TQ08800	Insert Guide	1
3	18-TQ08801	Pan Head Screw S/W M5x15	2
4	18-TQ08824	Set Screw M6x20	4
5	18-TQ08798	Safety Arm	8
6	18-TQ08158	Worm	1
7	18-TQ08672	Thrust Washer	1
8	18-TQ08688	E-Ring	1
9	18-TB06547	Manual Stopper Assembly	1
10	18-TQ08843	Set Screw M6x8	1
11	18-TB06566	Main Hanger Bracket Assembly	1
12	18-TQ08845	Main Hanger Pin	1
13	18-TQ08846	Spacer	1
14	18-TQ08847	U-Nut	1
15	18-TQ08836	Worm Wheel	1
16	18-TQ08107	Collar	1
17	18-TQ08818	Shock Absorber	1
18	18-TB06559	Cable Sub Assembly	1
19	18-TQ08832	Cable Bushing	1
20	18-TQ08837	Key	1
21	18-TQ08833	Spindle for MZ-198 (TW-90)	1
	18-TQ08834	Spindle for MZ-231 (TW-105)	1
	18-TQ08835	Spindle for MZ-264 (TW-120)	1
22	18-TB06557	Drum Sub Assembly	1
23	18-TQ08813	Ball Bearing 6206ZZ	2
24	18-TB06554	Spiral Spring Sub Assembly for MZ-198 (TW-90)	1
	18-TB06555	Spiral Spring Sub Assembly for MZ-231 (TW-105)	1
	18-TB06556	Spiral Spring Sub Assembly for MZ-264 (TW-120)	1
25	18-TQ08838	Spring Bushing for MZ-198 (TW-90)	1
	18-TQ08839	Spring Bushing for MZ-231 (TW-105)	1
	18-TQ08840	Spring Bushing for MZ-264 (TW-120)	1
26	18-TQ08154	Safety Device Pin	2
27	18-TQ08899	Safety Device Spring	2
28	18-TQ08810	Safety Device Spacer	2
29	18-TQ08811	Snap Ring	2
30	18-TQ08814	Hex Socket Bolt with S/W M8x20	6
31	18-TQ08831	Ball Bearing 6005ZZ	1
32	18-TB06561	Cover Sub Assembly for MZ-198 (TW-90)	1
	18-TB06530	Cover Sub Assembly for MZ-231 (TW-105)	1
	18-TB06531	Cover Sub Assembly for MZ-264 (TW-120)	1
33	18-TQ08822	Cover Brush	1
35	18-TQ08824	Set Screw M6x20 for MZ-198 (TW-90)	4
	18-TQ08824	Set Screw M6x20 for MZ-231 (TW-105)	4
	18-TQ08780	Set Screw M6x10 for MZ-264 (TW-120)	4
36	18-TB06562	Gauge Sub Assembly for MZ-198 (TW-90)	1
	18-TB06532	Gauge Sub Assembly for MZ-231 (TW-105)	1
	18-TB06533	Gauge Sub Assembly for MZ-264 (TW-120)	1
37	18-TQ08043	Gauge Screw	1
38	18-TQ08841	Hex Head Bolt with S/W M8x25 for MZ-198 (TW-90)	6
	18-TQ08841	Hex Head Bolt with S/W M8x25 for MZ-231 (TW-105)	6
	18-TQ08842	Hex Head Bolt with S/W M8x45 for MZ-264 (TW-120)	6
39	18-TQ08812	Drum	1
Other	18-TQ08819	Product Label for MZ-198 (TW-90)	1
	18-TQ08820	Product Label for MZ-231 (TW-105)	1
	18-TQ08821	Product Label for MZ-264 (TW-120)	1