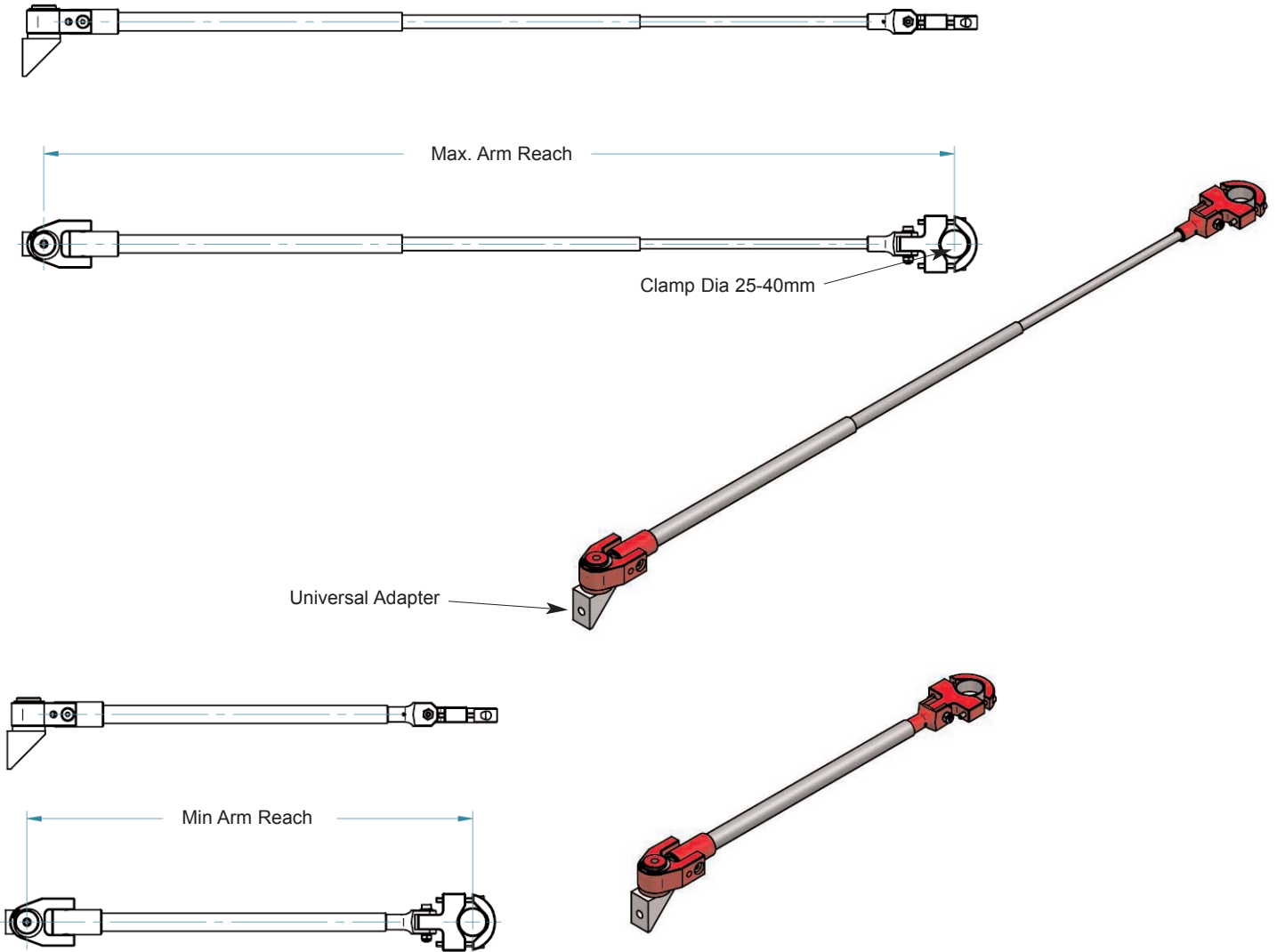
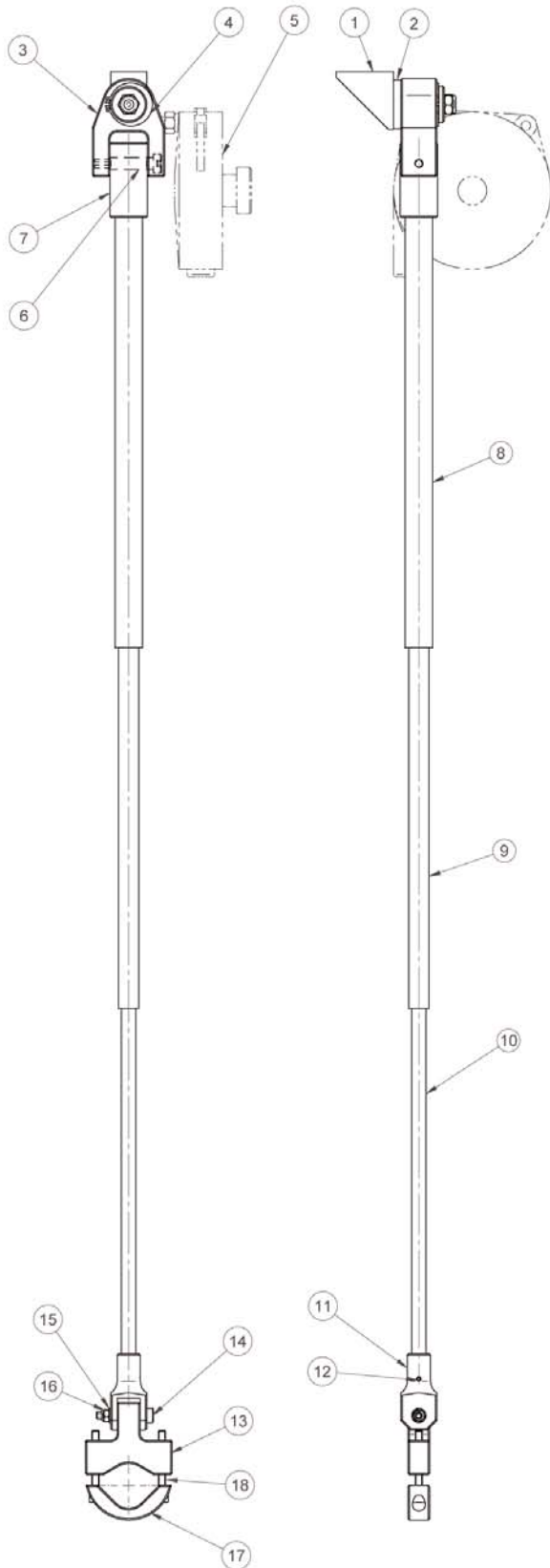


EZ-12T Telescoping Arm Drawing



Model	Min Arm Reach	Max. Arm Reach
EZ-12T	468mm	957mm
EZ-12T/1500	650mm	1500mm
EZ-12T/2000	820mm	2000mm

EZ-12T Telescoping Arm Drawing



No.	Description
18	CHC M5 x 45 Screw threaded under head
17	Collar
16	Nylstop M5 Nut
15	Z washer
14	CHC washer head screw M5 x 25
13	Standard Clamp
12	Spring Pin
11	Clamp Cap
10	Final section
9	intermediate section
8	Primary Section
7	Sheath
6	CHC washer head screw M6 x 30
5	Balancing system depending on model (accessory)
4	Spring retaining ring for 25 shaft
3	Fixing Cap
2	Pivot Pin
1	Angle bracket depending on model