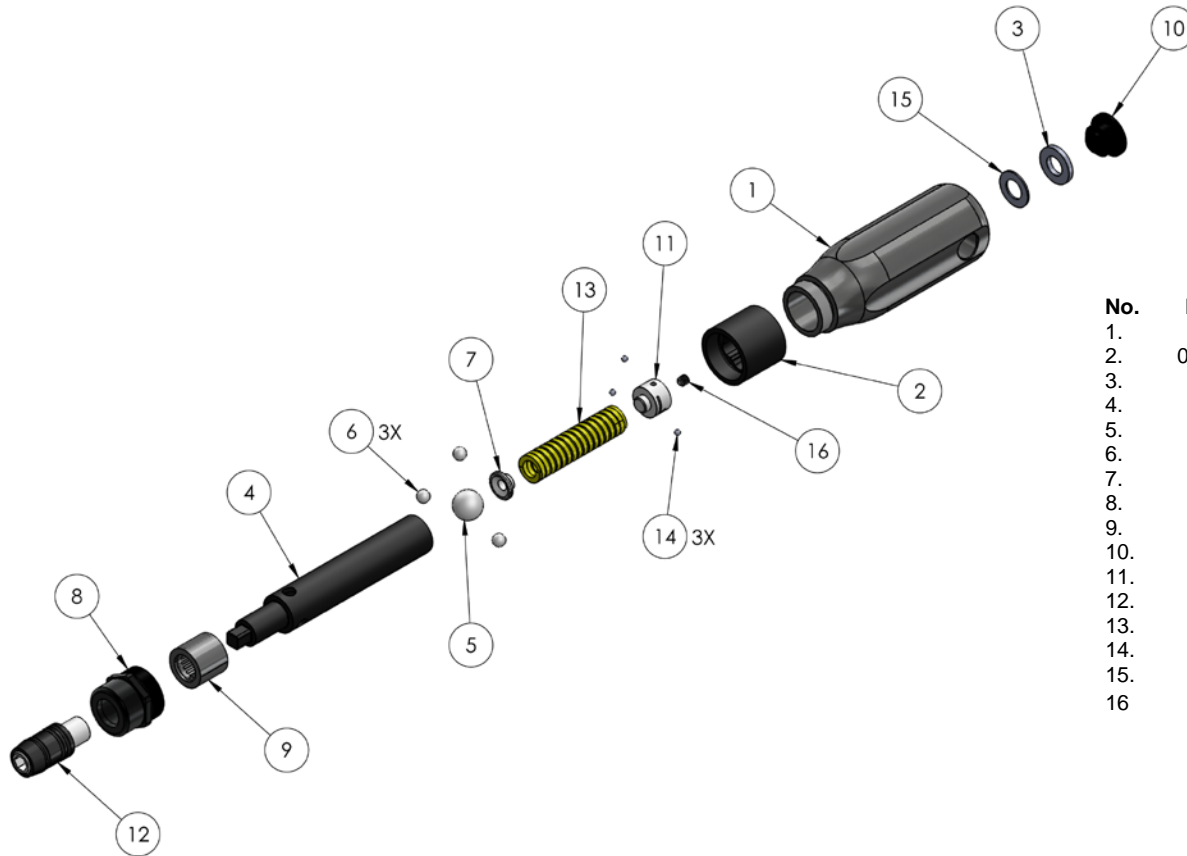


FG-40i OWC Parts List

November 11, 2020



No.	Part Number	Description	Qty.
1.	021-000002	Handle B Marked FG-40i	1
2.	021-000003-10	Preset Bidirectional Cam Sleeve	1
3.	983-000007	Needle Thrust Bearing (9mm ID x 17mm OD)	1
4.	021-000011	Preset B Spring Cartridge	1
5.	983-000006	Ball Steel 1/2" Dia	1
6.	983-000005	Ball Steel 7/32" Dia	3
7.	021-000012	Lower Perch Range 3	1
8.	021-000018	One-Way Clutch Bearing Collar	1
9.	021-000012	Needle Roller Clutch Bearing (12mm ID x 18mm OD)	1
10.	021-000016	Handle Cap	1
11.	021-000013	Upper Perch / Adjustment Screw Range 3	1
12.	984-000001	1/4" x 1/4" AutoLock Socket Adapter (Non-Magnetic)	1
13.	983-000003	Spring	1
14.	983-000011	Ball Nylon 3/32" Dia	3
15.	983-000008	Washer Needle Thrust 9mm ID x 17mm OD	1
16.	980-000001	Screw Set M4 x 0.7x 4mm L SS	1
	021-000017	T-Bar	1
	360077	T-Handle 5mm Hex Key	1
	984-000003	Hex Key, 2mm Long Arm	1
	Labels		
	076523	Blue Label for FG-40i	
	076528	Red Label for FG-40i	
	076533	Green Label for FG-40i	
	076538	Gold Label for FG-40i	