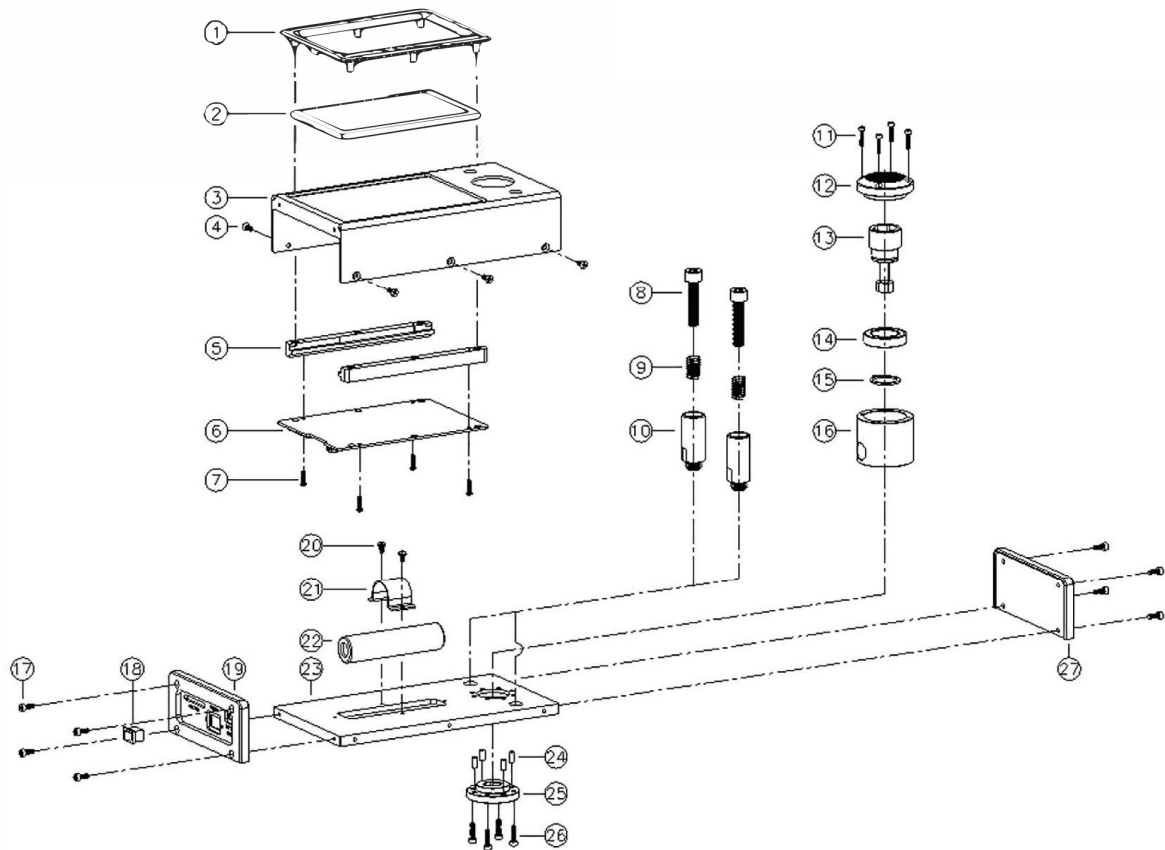


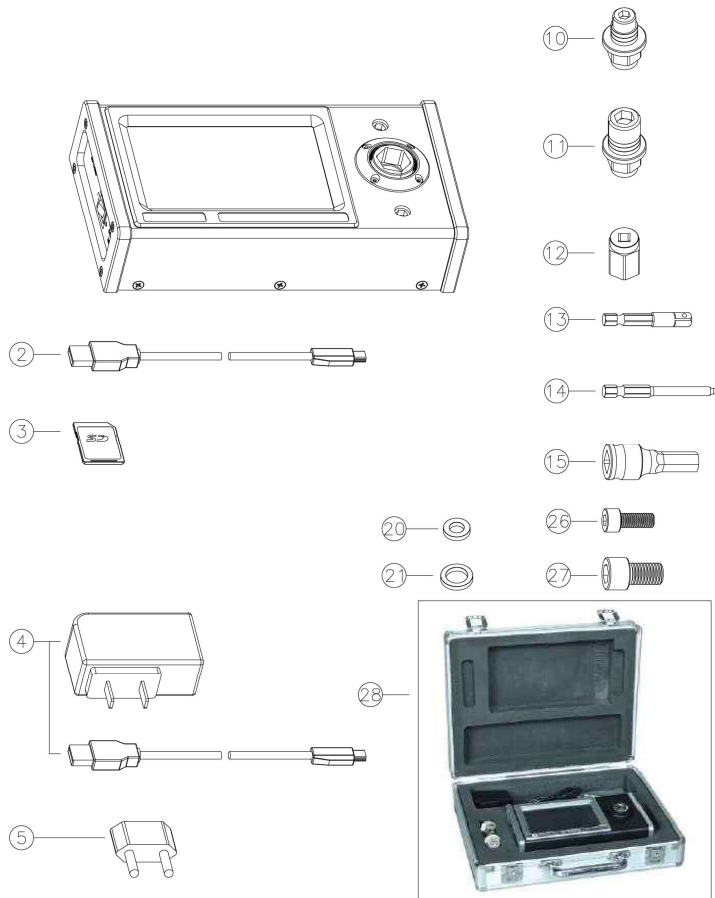
EZ-TorQ III 300i Parts List



| No. | Part Number | Description | Qty. | No. | Part Number | Description | Qty. |
|-----|-------------|-----------------------------|------|-----|-------------|-----------------------|------|
| 1. | 70-500889 | Bezel | 1 | 16. | 70-500853 | Transducer Housing | 1 |
| 2. | 70-300501 | LCD Assembly | 1 | 17. | 70-500277 | Wrench Bolt | 8 |
| 3. | 70-500856 | EZ-TorQ III Enclosure | 1 | 18. | 70-300504 | Rocker Switch Ass'y | 1 |
| 4. | 70-500268 | Screw | 6 | 19. | 70-500859 | Left Cover | 1 |
| 5. | 70-500975 | LCD Fixed Plate | 2 | 20. | 70-500477 | Screw | 2 |
| 6. | 70-300217 | Main PCB | 1 | 21. | 70-500857 | Battery Holder | 1 |
| 7. | 70-500266 | Screw | 4 | 22. | 13-500882 | Battery Pack (Li-Ion) | 1 |
| 8. | 70-501487 | Wrench Bolt | 2 | 23. | 70-500858 | Base Plate | 1 |
| 9. | 70-500965 | Compression Spring | 2 | 24. | 70-500264 | Pin | 2 |
| 10. | 70-500855 | Support, MTG Screw | 2 | 25. | 70-500854 | Bottom Cover | 1 |
| 11. | 70-500274 | Wrench Bolt | 4 | 26. | 70-500278 | Wrench Bolt | 4 |
| 12. | 70-500852 | Bearing Cover | 1 | 27. | 70-500860 | Right Cover | 1 |
| 13. | 070034 | Sensor for EZ-TorQ III 300i | 1 | | | | |
| 14. | 70-500888 | Ball Bearing | 1 | | | | |
| 15. | 70-501488 | Snap Ring | 1 | | | | |



EZ-TorQ III 300i Component Replacement Parts



| No. | Part Number | Description | Qty |
|-----|-------------|--|-----|
| 2 | 773072 | Cable USB for EZ-TorQ III | 1 |
| 3 | 773073 | SD Card | 1 |
| 4 | 770304 | Charger for EZ-TORQ III (SMPS Adapter 12VDC & USB Cable) - US Plug | 1 |
| 5 | 310218 | Plug Adapter (Europe) | 1 |
| 10 | 070824 | Screw RDA - M8 | 1 |
| 11 | 070825 | Screw RDA - M12 | 1 |
| 12 | 600727 | 1/4 Female Sq. Dr. x 17mm Male Hex Adapter (for EZ-TorQ) | 1 |
| 13 | 120143 | Square Dr. Adapter (1/4 Sq. Dr x 1/4 Hex x 2" Oal) Pin Type | 1 |
| 14 | 13-900280 | Hex Bit 1/4"x H6x70L | 1 |
| 15 | 310219 | 3/8" F/ Sq. Dr. Adapter to 10mm M/Hex Adapter | 1 |
| 20 | 13-501002 | Washer M8 | 5 |
| 21 | 13-501004 | Washer M12 | 5 |
| 26 | 13-501564 | Bolt M8x25L | 5 |
| 27 | 13-501565 | Bolt M12x25L | 5 |
| 28 | 310220 | Case (for EZ-TorQ III) | 1 |