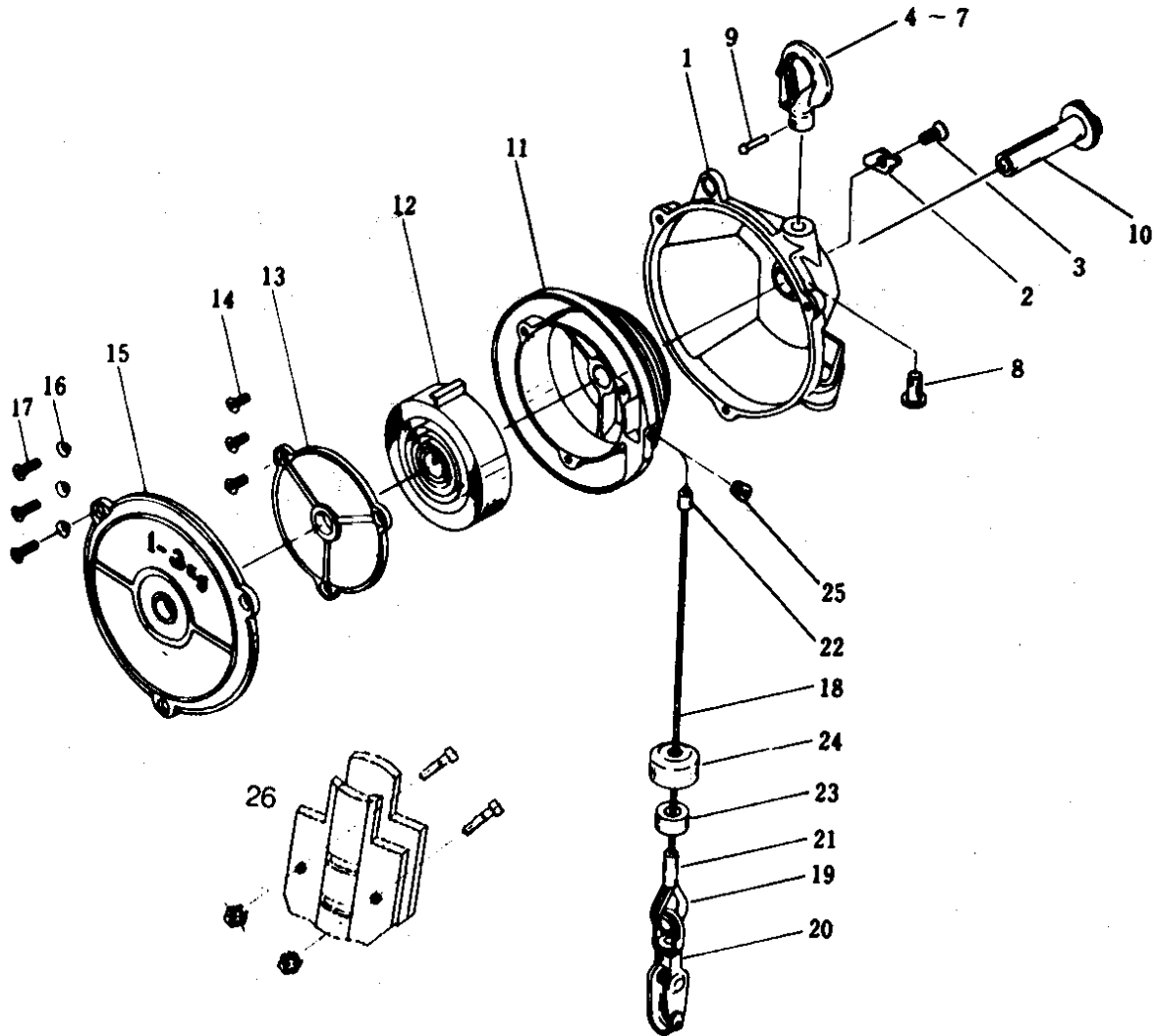


MZ-6 Balancer

Rev 1.0



MZ-6 Balancer

<u>Ref#</u>	<u>Part Name</u>	<u>Part#</u>
1	Case	18-3001
2	Ratchet	18-3002
3	Cross-Recessed flat head machine screw	18-SC614
	Hanger Set (Items 4-7)	18-3004
4	Hanger	-
5	Hanger Stopper	-
6	Hanger Spring	-
7	Button-head Rivet	-
8	Hanger Shaft	18-3005
9	Button-head Rivet	18-RR318
10	Spindle	18-3007
11	Drum	18-3008
12	Spiral Spring	18-3009
13	Drum Cover	18-3010
14	Cross-Recessed flat head machine screw	18-SC512
15	Cover	18-3012
16	Flat-toothed lock washer	18-WT5
17	Cross-Recessed flat head machine screw	18-SC516
	Cable Set	18-3015
18	Cable	-
19	Thimble	-
20	Hook	-
21	Safe-Lock	-
22	Aluminum Lock	-
23	Collar	18-3016
24	Shock Absorber	18-3017
25	Cable set bolt	18-PH1/8
26	Stopper	18-3018