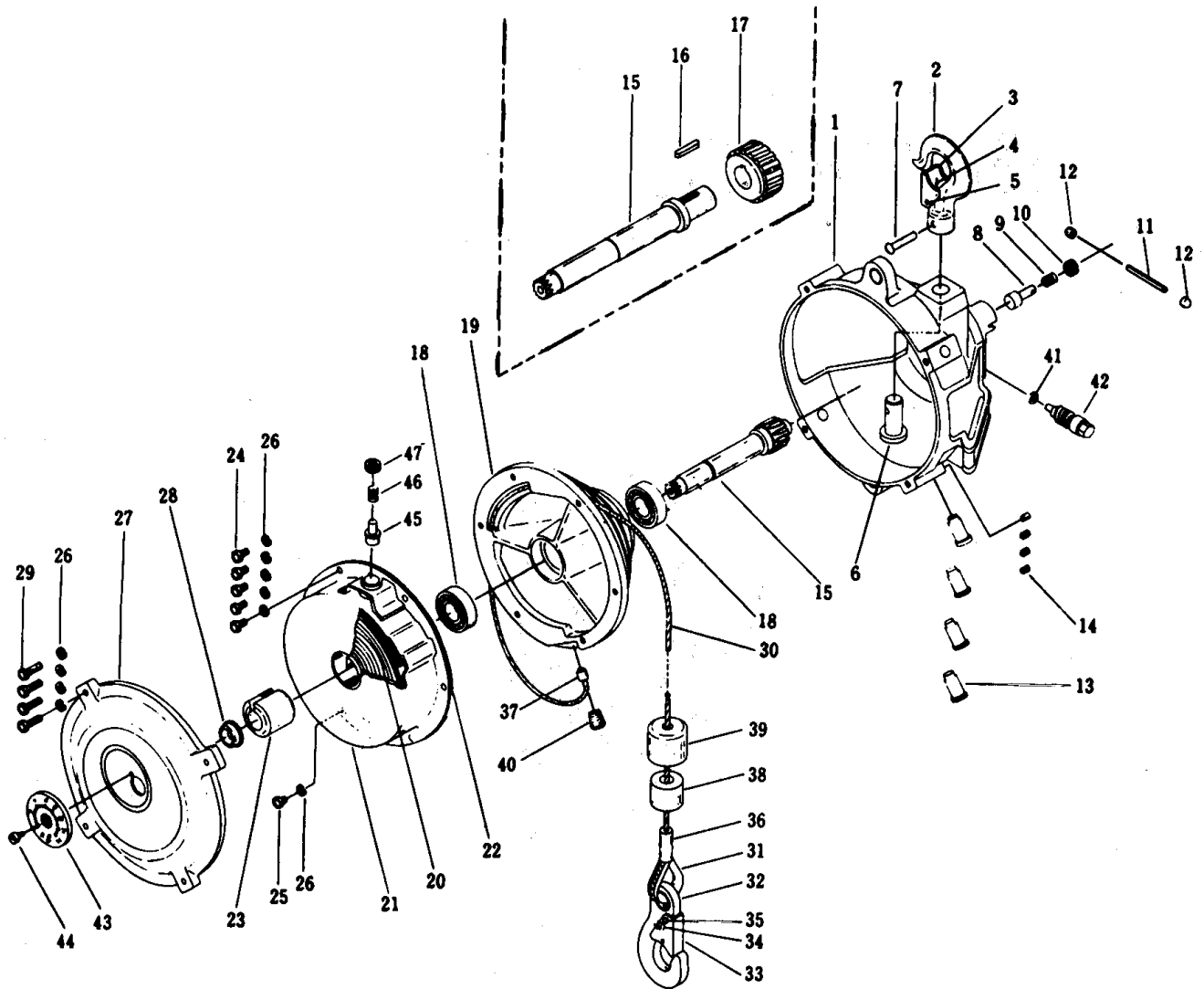


MZ-66 Balancer

Rev 1.0





MZ-66 Balancer

| <u>Ref#</u> | <u>Part Name</u> | <u>Part#</u> | <u>Ref#</u> | <u>Part Name</u> | <u>Part#</u> |
|-------------|---------------------------------|--------------|-------------|----------------------------|--------------|
| 1 | Case | 18-22001 | 29 | Hex Bolt | 18-SH620 |
| | Main Hanger Set (Items 2-5) | 18-22025 | | Cable Set (Items 30-37) | 18-22044 |
| 2 | Main Hanger | - | 30 | Cable | - |
| 3 | Latch | - | 31 | Thimble | - |
| 4 | Latch Spring | - | 32 | Load Hook | - |
| 5 | Round Rivet | - | 33 | Load Hook Latch | - |
| 6 | Main Hanger Shaft | 18-22023 | 34 | Load Hook Latch Spring | - |
| 7 | Main Hanger Rivet | 18-RR732 | 35 | Round Rivet | - |
| 8 | Stopper Pin | 18-22055 | 36 | Lock (A) | - |
| 9 | Stopper Spring | 18-22019 | 37 | Lock (B) | - |
| 10 | Stopper Pin Holder | 18-22017 | 38 | Collar | 18-22049 |
| 11 | Stop Ring Pin | 18-PS340 | 39 | Shock Absorber | 18-22050 |
| 12 | Cap | 18-22056 | 40 | Cable Set-Bolt | 18-PH1/4 |
| 13 | Safety Arm | 18-22016 | 41 | Thrust Washer | 18-9012 |
| 14 | Hex Cap Screw | 18-SH612 | 42 | Worm | 18-9010 |
| 15 | Spindle | 18-22010 | 43 | Gage | 18-30043 |
| 16 | Key | Unnecessary | 44 | Gage Screw | 18-9038 |
| 17 | Worm Wheel | Unnecessary | 45 | Safety Device Pin | 18-22021 |
| 18 | Ball Bearing | 18-BB6004 | 46 | Safety Device Spring | 18-22019 |
| 19 | Drum | 18-22003 | 47 | Safety Device Spring Screw | 18-22017 |
| | Spiral Spring Set (Items 20-22) | 18-30008 | | | |
| 20 | Spiral Spring | - | | | |
| 21 | Spring Case | - | | | |
| 22 | Spring Case Cover | - | | | |
| 23 | Bushing | 18-22099 | | | |
| 24 | Hex Bolt | 18-SH610 | | | |
| 25 | Hex Bolt | 18-SH68 | | | |
| 26 | Spring Washer | 18-WS62 | | | |
| 27 | Spring Cover | 18-22002 | | | |
| 28 | Casing Cover Bushing | 18-22015 | | | |



Mountz Inc. 1080 N. 11th St., San Jose, CA 95112
Tel: 408-292-2214 Fax: 408-292-2733



ISO 9001